

# PV-ezRack SolarTripod

Tilted flat roof frame designed for commercial installations



Installed by Solar-on

# PV-ezRack SolarTripod

The PV-ezRack SolarTripod is designed for commercial PV-installations on flat roofs with tilted panels in portrait orientation. The supports are available in fix and adjustable tilt angles, in addition they are compatible with a wide range of purlin distances. The components are made entirely of structural grade (AL6005-T5) anodised aluminium and stainless steel. SolarTripod is available in two designs: single and double row panels.

## Key Benefits

### Quick installation

Completely pre-assembled, the SolarTripod supports simply need to be unfolded and secured to the roof structure for installation. At most installations the legs require only 2 fixing points each and the rails can overcome large spans. All these features result in a fast, easy and cost efficient installation, crucial for commercial projects.

### Suitable for corrosive environments

As the materials used in this product are stainless steel (SUS304) and 10µm anodised aluminium it can be installed even in the harshest corrosive environments.

### Maximising installation size and output on small roofs

The DoubleTripod has two rows of PV-panels in portrait orientation. This allows you to perfectly utilise narrow roof sections while doubling the installation size and output, where you would normally only be able to fit one row of panels.

### Simplicity

Bill of materials can be confusing and complicated. On a basic BOM for SolarTripod you will only find 6 components, keeping it simple and transparent for all parties to better understand and work with the product.



ER-R-T50

### T-Rail 50

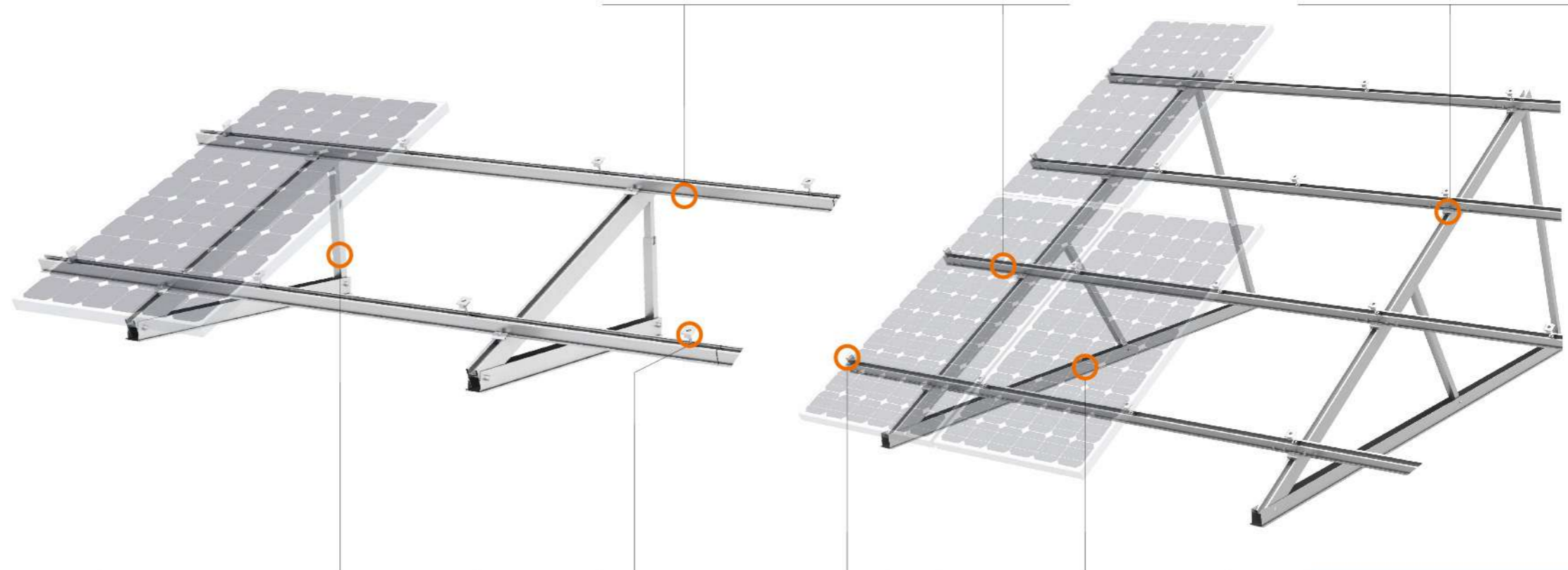
The rail profile has been specifically developed to achieve larger spans, reducing the number of supports to be installed. The T-Rail 50 has a patented Z-Module channel for panel mounting and is secured with the T-Rail Clamps to the supports.



ER-RC-T

### Rail Clamp for T-Rail

These Rail-clamps establish a secure connection between the Tripod supports and the T-Rail 50s with our patented Z-Module technology. The same rail clamp can be used to secure the Tripod support to the non-penetrative clamps. Available with grounding pins for earthing.



Fixed

Adjustable

ER-S-TRI/S30

ER-S-TRI/S15-30

### SingleTripod support

These pre-assembled supports are available in fixed and adjustable angles. The tripod can be directly fixed to the roof structure and it is compatible with the PV-ezRack non-penetrative brackets (Klip-lok, Longline and other).



ER-IC-ST

ER-EC-ST

### Inter and End clamps

The PV-ezRack Inter and End clamps offer a simple, easy to use and robust fixing of the PV panels (of all sizes) using the patented Clenergy Z-module. Compatible clamps for thin film modules are also available.



ER-S-TRI/D30

### DoubleTripod support

The DoubleTripod support offers a unique solution to maximise the size of your PV-system on a small roofs. The system size can be doubled without compromising output which could otherwise be impacted by shadow implications from small single panel array spacing.

### Available accessories

- Grounding/earthing
- Cable clips
- Rail caps

### Materials

AL6005-T5 | SUS304

Contact us or one of our qualified resellers for a personalised quotation today.

10 Year  
Warranty\*

Commercial

Residential

\*see Clenergy PV-ezRack warranty for further details



## Worldwide network



**Clenergy America**  
400 Continental Blvd, 6th Floor, El Segundo, CA 90245  
Tel: +1 310-426-2617

**Clenergy Australia**  
1/10 Duerdin Street, Clayton VIC 3168 Australia  
Tel: +61 3 9239 8088 Fax: +61 3 9239 8024  
E-mail: sales@clenergy.com.au www.clenergy.com.au

**Clenergy China**  
999-1009 Min'an Rd, Huoju Hi-tech Ind. Dev. Zone  
Xiang'an District 361101, Xiamen, Fujian, China  
Tel: +86 592 311 0088 Fax: +86 592 599 5028  
E-mail: sales@clenergy.com.cn www.clenergy.com.cn

**Clenergy Europe**  
Clenergy Court, Blisworth Hill Farm Stoke Road, Blisworth  
Northampton, NN7 3DB, UK  
Tel: +44 1604 857 674 Fax: +44 1604 858 620  
E-mail: sales\_uk@clenergy.com www.clenergy.uk.com

**Clenergy Japan**  
SOHO STATION 401, 24-8 Yamashita-cho, Naka-ku  
Yokohama, 231-0023 Japan  
Tel: +81 45 228 8226 Fax: +81 45 228 8316  
E-mail: sales@clenergy.co.jp www.clenergy.jp

**Clenergy Philippines**  
145 Yakal St., San Antonio village, Makati City, Philippines  
Tel: +63 977 8407282 +63 977 8407240  
E-mail: sales\_ph@clenergy.com www.clenergy.ph

**Clenergy Malaysia (Regional Office)**  
Suite 8.01, Level 8, Menara IGB, Mid Valley City Lingkaran Syed  
Putra, 59200, Kuala Lumpur, Malaysia  
Phone: +60 3 2202 4268 Fax: +60 3 2202 4001  
E-mail: sales@clenergy.my www.clenergy.my

**Clenergy Thailand**  
9/2, 5th Floor, Vorasin Building, Soi Yasooob 2, Viphavadee-Rungsit Road,  
Chomphon Sub-district, Chatuchak District, Bangkok 10900  
Tel: +66 63 228 0200, +66 81 969 5152  
E-mail: sales\_th@clenergy.com, support\_th@clenergy.com

